

**PRECAST PORTABLE FOUNDATION**

**CAST-IN-PLACE FOUNDATION**

**ELEVATION OF FOUNDATION**

\* WHEN CONCRETE IS CAST IN PLACE, LONGITUDINAL BARS EXTENDING FROM AND INTO THE LATERAL SUPPORT SHALL BE BENT 90° WITH A 2 IN. RADIUS AND CONTINUE PERPENDICULARLY 10 IN. FROM THE BEND

a - 6" x 8" x 7'-4"
b - 4" x 8" x 9'-4 1/2"
c - 2" x 6" x 6'-7"
d - 2" x 6" x 5'-8"
e - 2" x 6" x 6'-7"
f - 2" x 6" x 2'-5"
g - 2" x 6" x 4'-4"
h - 2" x 6" x 6'-2"
16d NAILS (GALV.) - 2 LB.

**ONE TIMBER WING**

a - 2" x 2" x 1/4" x 79"	
b - 2" x 2" x 1/4" x 79"	
c - 2" x 2" x 1/4" x 84"	
63.26 LBS.	
d - 1 1/2" x 1 1/2" x 1/4" x 69"	
e - 1 1/2" x 1 1/2" x 1/4" x 55"	
f - 1 1/2" x 1 1/2" x 1/4" x 40"	
g - 1 1/2" x 1 1/2" x 1/4" x 25"	
36.86 LBS.	
h - 5" x 6" x 1/4" x BAR - 2.13 LBS.	
i - TWO 3" x 10" x 1/4" x BARS - 4.25 LBS.	
6" x 8" x 7'-8" TIMBER POST	
TOTAL LBS. STEEL = ~ 106.5	

**ONE STEEL WING**

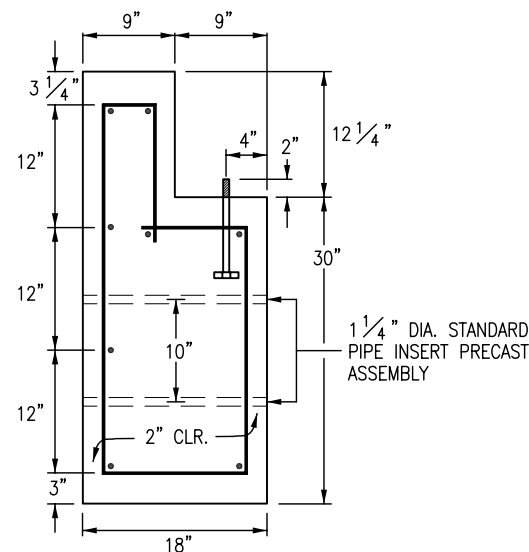
**WING QUANTITIES**

ROADWAY WIDTH (FT.)	USE GRILL UNITS (FT.)	PRECAST		CAST-IN-PLACE		A (IN.)	TOTAL GRILL WEIGHT (LBS.)
		CONCRETE (CU. YD.)	REINF. STEEL (LBS.)	CONCRETE (CU. YD.)	REINF. STEEL (LBS.)		
10	10	5.6	295	5.6	316	24	1946
12	12	6.5	342	6.5	364	18	2328
14	14	7.4	378	7.4	399	21	2170
16	8 8	8.1	414	8.1	435	24	3128
18	8 10			9.0	482	18	3434
20	10 10			9.8	518	21	3806
22	10 12			10.6	553	24	4274
24	12 12			11.5	601	18	4656
26	12 14			12.3	636	21	5038
28	14 14			13.1	672	24	5420
30	10 10 10			13.9	719	18	5838
32	10 12 10			14.8	755	21	6220
34	12 10 12			15.5	790	24	6602
36	12 12 12			16.4	838	18	6984
38	12 14 12			17.3	873	21	7366
40	14 12 14			18.0	909	24	7748
42	14 14 14			18.9	956	18	8130

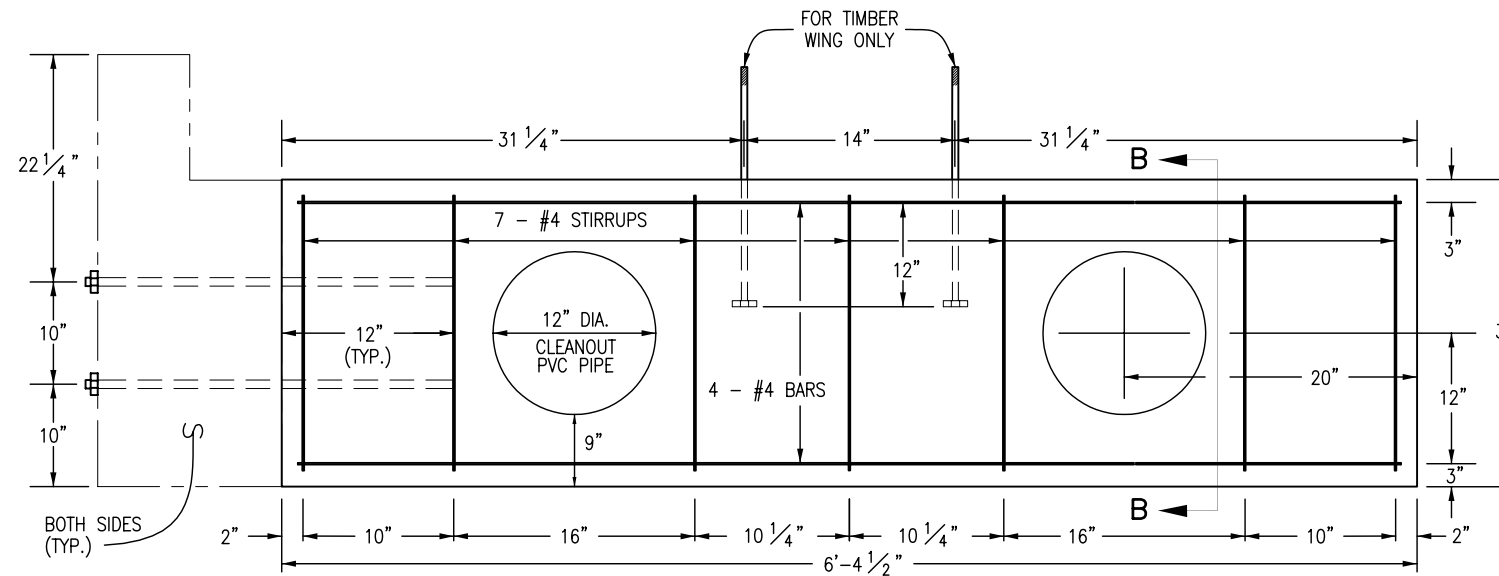
**FOUNDATION QUANTITIES**

SIZE	WEIGHT (LBS.)
8'	1564
10'	1946
12'	2328
14'	2710

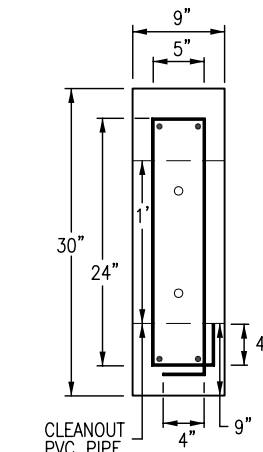
**WELDED GRILL UNITS**



**END SECTION OF FOUNDATION SECTION A-A**



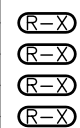
**ELEVATION OF LATERAL SUPPORT**



**LATERAL SUPPORT SECTION B-B**

**Computer File Information**

Creation Date: 07/04/06	Initials: SJR
Last Modification Date: 07/04/06	Initials: LTA
Full Path: www.dot.state.co.us/DesignSupport/	
Drawing File Name: 611010202.dwg	
CAD Ver.: MicroStation V8	Scale: Not to Scale Units: English



**Sheet Revisions**

Date:	Comments

**Colorado Department of Transportation**

4201 East Arkansas Avenue  
Denver, Colorado 80222  
Phone: (303) 757-9083  
Fax: (303) 757-9820

Project Development Branch SRJ/LTA

**CATTLE GUARD**

Issued By: Project Development Branch on July 04, 2006

**STANDARD PLAN NO.**

M-611-1

Sheet No. 2 of 2